



TECHNICAL INFORMATION



What about ice generators ?

The Geneglace sas policy aims to improve its technology and the reliability of its equipment for the satisfaction of the world users. We are bringing improvements to our flake icegenerator with focus made on performance & efficiency, hygiene and durability while preserving competitive prices.

New immersed water pump for F600

The water pump for F600ABF and SBF is now an immersed pump. The installation will remain at the same place in tray but connections will be now ensured trough the water tray covers.

To preserve the user safety, the dedicated cover will be fixed to the tray and a ring will be fixed between it and the drum.

Safety access and installation

Clean water suction process

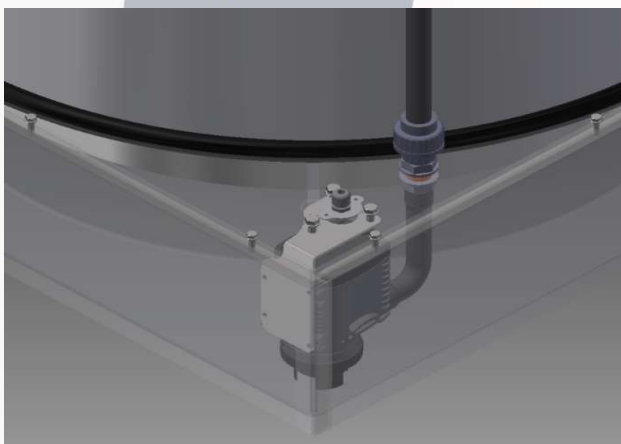
No anymore impeller modification when replacement

For maintenance actions or new identification, here are the main spare part description :

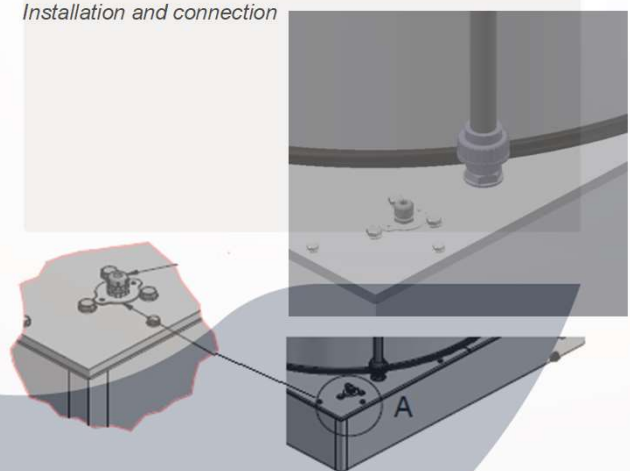
Qty	Article	Part description
		New system
	2 230 242	Water pump 230V-50Hz
	2 230 250	Water pump 230V-60Hz
	2 230 272	Water pump 120V-50Hz

Qty	Article	Part description
		New system
	71 602 118	Cover tray for immersed pump
	71 602 119	Cover tray without pump
	2 404 055	ring for cover 3m

New pump version



Installation and connection



In les Sorinières 01/04/21